

Mounting and User Instructions

Lotus Style Series Stoves

Lotus Style 370

Version 1, 09.05.2017



Introduction

Congratulations on your new Lotus Wood Stove

We sincerely trust that your Lotus Wood Stove will bring many happy hours for you. However, to benefit fully from your investment, you should read these instructions thoroughly. They contain some specific advice on how to benefit fully from your stove – now, and in the years ahead. So, like all other directions for use, keeping them in a safe place would be a good idea.

Lotus Wood Stoves are based on a long tradition; the first productions were way back in 1979. Our production is now run in Langeskov on Funen in Denmark, and is exported to a great many European markets. Our stoves are produced to sound Danish tradition, and have given their owners good and reliable service for years. So, once again, congratulations on your new Lotus wood stove. We feel certain that putting your Lotus wood stove in operation will inaugurate a warm and cosy beginning of a new home life for you.

This stove is intended for "intermittent combustion", a process achieved by following the instructions of the guide below under "Use of Stove".

Mounting of Stove

Before your new stove will be ready to exude warmth and cosiness, you should read these pages thoroughly. Pages reviewing the requirements for the mounting and for the surroundings. Reference is also made to the fact that local regulations, including those referring to national and European standards, applying at all times must be met for the installation of your wood stove.

A warning should also be issued against any unauthorized change of your wood stove. It should be added that the surfaces of your wood stove will become hot.

Lotus recommends that your stove be mounted by an authorized Lotus distributor or by a fireplace service man recommended by an authorized Lotus distributor.

NOTE: Your stove may not be put into use until the installation has been approved by the local chimney sweep.

Further, please note that any air grates are to be placed so as not to block.

Note: If you use a top mounted Steel Chimney, you have to ensure that the chimney does not rest fully on the stove; in this case, the chimney must be attached to the roof in order to take up the weight of the chimney

Distance to Combustible Material

For combustible material, such as combustible walls, furniture, etc., for reasons of safety a number of minimum distances apply.

The following minimum distances apply:

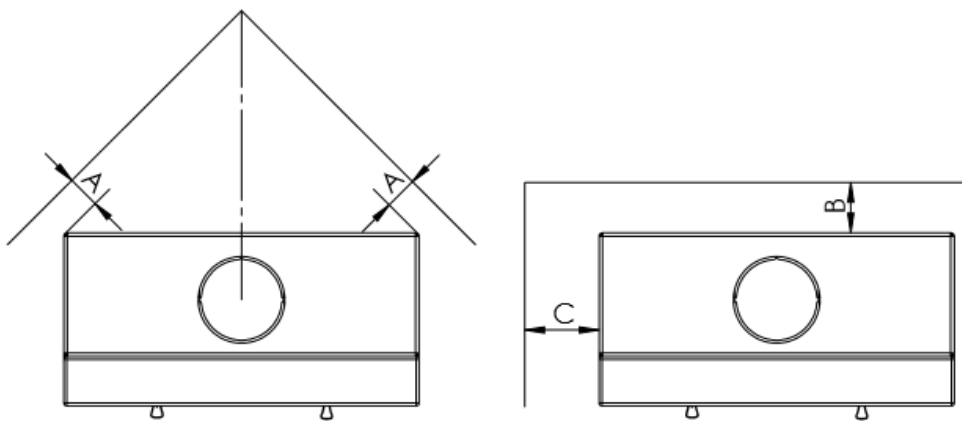
Uninsulated Pipe

A: 200mm

B: 200mm behind stove

C: 200mm beside stove

1100mm forward



If a non-combustible board is laid under the stove, it must protrude at least 50 cm off in front of the stove and 30 cm off at each side of the fireplace opening.

Distance to non-combustible material

For non-combustible material, there should be a distance of 80-100 mm in order that the stove may release and distribute the heat while you may clean on and around the stove.

Technical Specifications

Model	Height mm	Width mm	Depth mm	Weight kg
Style 370 S	927	718	350	145
Style 370 IN	927	718	350	145
Style 370 IN	927	718	350	143

Mean Values at testing to DS/EN 13240:

Flues Gas Temperature:	297° C
Flue Gas Mass Flow:	7,7 g/s
Rated Output:	6,5 Kw
Flue:	12 pa

Chimney

A good draught in your chimney is paramount to how well a stove will burn. Note that there should be access to cleaning doors.

The effective height of your chimney should typically range between 3.5 and 4.5 metres. Effective height is to be understood as the distance from the stove top to the top of the chimney. The inside diameter of the chimney should be min. 150 mm (inside dimension).

All joints and connection points shall, of course, be tight, and the chimney shall be able to provide a draught of a min. 1.2 mm water column (12 Pa), though preferably a little more.

The wood stove may be connected to chimneys which are also used for other purposes. To this end, the specific local conditions shall be assessed by a fitter and/or chimney sweep.

Register

If your chimney has a register, it should have a forced aperture of min. 20 cm².

Note: When using the top flue outlet, you have to make sure that the chimney does not rest on the stove; to avoid this, the chimney must be fastened to the roof structure, in order to take up the weight from the chimney.

Mounting of Smoke Baffle Plate

Each smoke baffle plate is to be removed separately. Both smoke baffle plates are removed by lifting up at one side after which they may come clear at the other side and be taken down into the combustion chamber and out of the door. Similarly, they are put in place by leading them up slanting-wise at one side, and then at the other side, and they are then put into place in the middle.

Combustion Air Supply

It is important for good and clean burning that adequate air be supplied to the fire. To allow for this, it is, however, a condition that air be supplied to the room in which the stove has been set up.

Certainly most rooms will have sufficient air, not least if some of the doors between the rooms of the house are open. In special cases, an air valve may have to be put in the exterior wall of the room in which the stove has been put up.

Floor

When placing your new Lotus stove on the floor, it should be put on a non-combustible plate, for instance of steel or stone material. The plate should be so large that it will reach a minimum of 50 cm in front of the stove, and 30 cm at each side of the fireplace opening.

Chimney Sweep

When your new stove has been mounted, do remember to report the installation to the chimney sweep. For one thing, the installation will have to be inspected, and the chimney should also be cleaned by the chimney sweep in the time ahead.

Use of stove

Below, the procedure applied at the stove testing by Teknologisk Institut – The Technological Institute – has been reviewed. This is the procedure generating optimal combustion on the particular chimney.

Wood quantity and register setting may be varied as individually required for heating and the draught of the particular chimney. The stove has been tested with birch wood of a humidity of appr. 18%.

Kindling and Current Stoking at EN Test

1. Put about 1,5 kg kindling wood into the bottom of the stove, stacked crisscross like a log house. Put 2 fire-lighters in the middle, and ignite them.
2. Close the door ajar, leaving an aperture of appr. 2 cm. Open the register under the door completely (turning it to the right). Leave the stove like this for about 8-10 minutes before closing the door completely and turning the handle into locked position

3. The register is damped as required during the kindling.
4. When the fire has burned down to embers (no more flames), open the door gently so as not to whirl out the embers. Spread out the embers cautiously using a poker so as to leave them in an even layer.
5. Put two pieces of wood into the stove, totally about 1.5 kg. The foremost piece will ignite best if it has a split side facing the door, and one down in the embers. Close the door immediately and completely.
6. **The damper may be opened entirely and damped again once the fire has caught on well. Just how much the damper should be opened may vary with the draught of the particular chimney but the flames are now to stabilize so as to assume the appearance of a “calmly” burning fire.**
7. When the wood has burned down to embers (after about one hour), start all over from item 5.

Ashes

Ashes may be discarded in the waste bin for refuse collection. The ashes should always have cooled for 24 to 48 hours before being thrown into the waste bin as there may otherwise still be embers that may ignite waste or the waste bag.

Sound Advice

Kindling after a protracted interval

If your stove has not been used for some considerable time, the chimney should be inspected for blocking prior to rekindling.

Cleaning of Stove

All Lotus stoves have been factory surface treated with original Senotherm lacquer in “black” or “grey” colour. Due to this treatment, the stove will, during the first kindlings, exude a special odour but that will vanish after a few times. Good airing to be provided. The surface is maintained by brushing it using a soft, long-haired auto brush or by using the vacuum cleaner with a brush.

Your stove should also be cleaned inside regularly. Ashes, soot, and any tar residues are to be removed from pane and combustion chamber. Smoke baffle plates should be dismantled regularly to remove soot and dirt which will frequently settle behind the plates. Check at the same time whether there is free passage to the chimney. The ash pan should also be emptied regularly as required. The ashes from the wood stove may contain embers long after the stove was used last time so always put the ashes in a fireproof bucket prior to removal. Do remember that your stove should be cleaned in cold condition only.

Chimney Fire

In case of a chimney fire, doors and register should be shut so as to cut off the oxygen supply. Relevant authorities etc. may be called if necessary.

Stove Maintenance – use original spare parts only

Packings may seem to look nice; they will, however, collapse in the heat, thereby losing their ability to keep your stove tight. Packings should be replaced as required as it is essential to good combustion and to a clean pane that your stove is tight.

The combustion chamber covering may break or become worn. The panels are made of vermiculite, an insulation material. When worn, the material is to be replaced not later than when the panels have a thickness of appr. 1.5-2.0 cm. The material is slightly porous. To prevent breaking of the panels it should be ensured that the board is not thrown but laid in the middle of the combustion chamber. If you happen to break a Skamol panel, this will not have any impact on the insulating effect of the panel.

Painting of your stove using Senotherm spray may cover stains or small scratches from kettles or other. Heavy damage to be ground with fine steel wool, vacuum cleaned, and then sprayed. Shake the spray can very heavily, and spray on at a distance of 15-20 cm. It is most important that your stove will be out of operation and quite cold before you use your spray, otherwise heavy damage may be inflicted on account of fire risk.

Kindling Wood

Kindling wood is the designation for finely split small wood/sticks some 20-30 cm long and having a diameter of 2-3 cm.

Wood

Birch, beech, oak, ash, elm, as well as fruit trees are all suitable for being chopped into firewood.

Pressure impregnated wood, chipboard, coloured leaflets or glazed paper are, however, not suitable in a stove. They will develop hydrochlorid acid or heavy metals much to the detriment of your stove and to the environment.

Wood for your Lotus stove should have a diameter of 7-9 cm and be max. appr. 30 cm long as it will otherwise come too close to the stove sides. The most important aspect of good combustion is that your wood will be appropriately dry (of a humidity of 15-20%). If your wood is too wet, making it burn will be hard, the chimney draught will not occur, there will be a lot of smoke, and utilization will be low as water will need to evaporate first. This is certainly harmful to the environment and will cause a high level of emission. Further, it may cause damage to your stove and chimney by way of shining soot and tar coverings. "Worst Case" would be a chimney fire. If your wood is far too dry, it will burn too quickly. Frequently the gases in the wood will be released quicker than they will burn, and some part of these will go up the chimney unburned. Thus yielding a lower rate of utilization and harming the environment.

So it is a matter of a balance which is, however, reasonably easy to find with a little practice.

Also please refer to the comments below under Storage.

Storage of Wood

The best storage of the wood is under roof though still with good airing, for instance in a carport or under a shed roof. Preferably put your wood on a wooden pallet or similar, clear of the ground. Fresh wood, sawn and chopped, should preferably be left in this manner for one or two years depending on the species of wood.

Items available in stove

In the stove, the present mounting and user instructions are available, as well as a glove good for stoking.

Operating Trouble

In case of any operating trouble with your Lotus stove, you may find the cause of that below. If not, please do not hesitate to contact your Lotus distributor.

Stove hard to control – burning too quickly

If your stove is new, check our guide.

If your stove is more than one year old, or if it has been used heavily, the packings may have to be replaced. If the packings are on for too long, the heat will cause the packings to lose their ability to keep your stove tight.

Stove drawing badly after installation

Check that the mounting instructions have been followed. In particular, conditions around the chimney may cause trouble. Are the diameter and the length OK, is it tight, are the flue pipes and the transitions tight? A chimney sweep may have to be contacted to remedy the problem as the chimney may be clogged.

Smelling of Smoke and Soot

This may be due to wind down draught in the chimney and will mostly occur in certain wind directions. The chimney may be too short in relation to the roof ridge, or trees may have grown up and may be causing turbulence.

Your stove is hard to make burn and may go out

There may be a number of reasons for this. The most typical ones are:

The register is not open enough.

The wood is too wet.

The chimney draught is too small; it may be clogged or leaky.

The layer of embers was too small/no longer glowing and did not produce heat enough to kindle the pieces of wood. A little primary air may be supplied by pulling out the ash pan a little and opening the grate a little to get the stove going again after which you close again completely.

Depending on the type of problem you may have to contact your Lotus distributor or a chimney sweep.

Technical Drawing

Lotus Wood Stove – 10-Year Warranty

From 1 September 2014, Lotus is offering a 10-year warranty instead of a five-year warranty. This warranty applies to stoves which are supplied by Lotus after this date.

This warranty covers Lotus Wood Stove model _____ production no. _____ purchased on the _____.

This warranty covers normal firing – i.e. using ordinary chopped wood and pressed wood briquettes, and only provided the stove is otherwise operated to the specifications of the directions for use.

This warranty covers the faultless function of the stove, and does not cover overheating damage, damage to lacquer, wearing parts and movable parts such as glass, Skamol, stones, shaker grate, smoke baffle plates, packings, slide gate, and closing gear.

This warranty shall lapse if this stove is not operated so as to comply with the directions for use, and if deficiencies or similar are aimed to be/are remedied by a person not authorized by Lotus Heating Systems A/S. This warranty does not cover damage caused by inappropriate, non-expert/incompetent use of the stove.

If a product is returned to Lotus Heating Systems A/S, and the damage subsequently turns out not to be covered by this warranty, any costs incurred shall be incumbent on the customer.

For any warranty repair, the warranty period for the repair carried out shall not be extended but shall continue to follow the original warranty period.

This warranty shall be valid only if duly completed and subject to simultaneous presentation of distributor's original invoice. The warranty period shall follow the invoice date.

Congratulations on your new Lotus Wood Stove.

Yours Sincerely,

Distributor:



Johnny Ebstrup
Lotus Heating Systems A/S